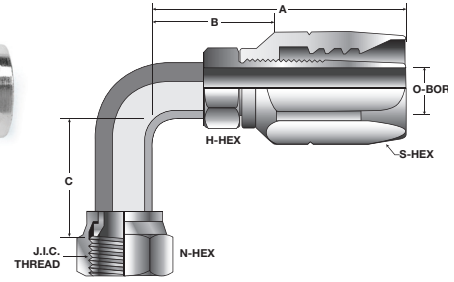




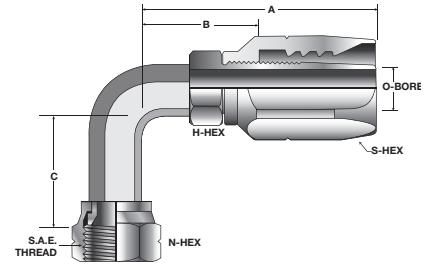
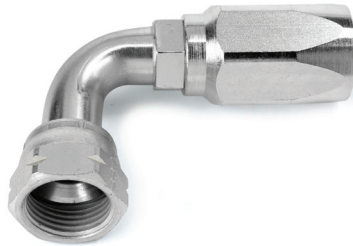
**90111 FEMALE J.I.C.
90° SWIVEL ELBOW**
NON-MANDREL/ZINC PLATED STEEL



100R5 PART NO.	HOSE SIZE	O. D. TUBE SIZE	J.I.C. THREAD	FITTINGS COMP. NIPPLE NUT	PARTS SOCKET	EA. WEIGHT	A	B	C	H HEX NIPPLE	NUT N HEX	O	SOCKET S HEX
90111-4	4	1/4"	7/16"-20	490111-4	4011-4	0.11	1.75	1.00	0.69	9/16	9/16	0.13	5/8
90111-5	5	5/16"	1/2"-20	490111-5	4011-5	0.12	1.97	1.19	0.77	5/8	5/8	0.17	11/16
90111-6	6	3/8"	9/16"-18	490111-6	4011-6	0.17	2.13	1.23	0.84	11/16	11/16	0.23	13/16
90111-8	8	1/2"	3/4"-16	490111-8	4011-8	0.26	2.75	1.61	1.09	7/8	7/8	0.34	15/16
90111-10	10	5/8"	7/8"-14	490111-10	4011-10	0.47	2.94	1.66	1.23	1	1	0.45	1 1/8
90111-12	12	3/4"	1 1/16"-12	490111-12	4011-12	0.66	3.75	2.17	1.81	1 1/4	1 1/4	0.56	1 1/4
90111-16	16	1"	1 5/16"-12	490111-16	4011-16	0.90	3.55	2.28	2.14	1 1/2	1 1/2	0.81	1 7/16
90111-20	20	1 1/4"	1 5/8"-12	490111-20	4011-20	1.1	4.01	2.73	2.59	1 1/2	2	1.05	1 3/4

For Hose Information See Page 2f

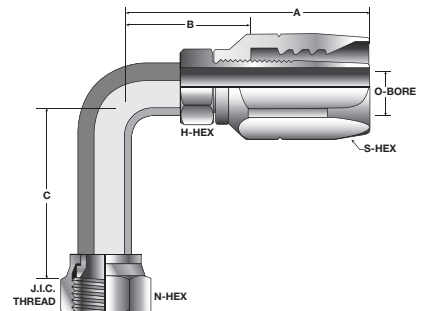
**90101 FEMALE S.A.E.
90° SWIVEL ELBOW**
NON-MANDREL/ZINC PLATED STEEL



100R5 PART NO.	HOSE SIZE	O. D. TUBE SIZE	S.A.E. THREAD	FITTINGS COMP. NIPPLE NUT	PARTS SOCKET	EA. WEIGHT	A	B	C	H HEX NIPPLE	NUT N HEX	O	SOCKET S HEX
90101-4	4	1/4"	7/16"-20	490111-4	4011-4	0.11	1.75	1.00	0.69	9/16	9/16	0.13	5/8
90101-5	5	5/16"	1/2"-20	490111-5	4011-5	0.12	1.97	1.19	0.77	5/8	5/8	0.17	11/16
90101-6	6	3/8"	5/8"-18	490111-6	4011-6	0.17	2.13	1.23	0.84	11/16	11/16	0.23	13/16
90101-8	8	1/2"	3/4"-16	490111-8	4011-8	0.26	2.75	1.61	1.09	7/8	7/8	0.34	15/16
90101-10	10	5/8"	7/8"-14	490111-10	4011-10	0.47	2.94	1.66	1.23	1	1	0.45	1 1/8
90101-12	12	3/4"	1 1/16"-14	490111-12	4011-12	0.66	3.75	2.17	1.81	1 1/4	1 1/4	0.56	1 1/4
90101-16	16	1"	1 5/16"-14	490111-16	4011-16	0.90	3.39	2.28	2.14	1 1/2	1 1/2	0.81	1 7/16
90101-20	20	1 1/4"	1 5/8"-14	490111-20	4011-20	1.1	4.01	2.73	2.59	1 1/2	2	1.05	1 3/4

For Hose Information See Page 2f
Sizes 6 & 12 S.A.E. thread only

**90111L FEMALE J.I.C. LONG
90° SWIVEL ELBOW**
NON-MANDREL/ZINC PLATED STEEL



100R5 PART NO.	HOSE SIZE	O. D. TUBE SIZE	J.I.C. THREAD	FITTINGS COMP. NIPPLE NUT	PARTS SOCKET	EA. WEIGHT	A	B	INCH C	H HEX NIPPLE	NUT N HEX	O	SOCKET S HEX
90111L-4	4	1/4"	7/16"-20	490111L-4	4011-4	0.12	1.75	1.00	1.80	9/16	9/16	0.13	5/8
90111L-5	5	5/16"	1/2"-20	490111L-5	4011-5	0.14	1.97	1.19	1.78	5/8	5/8	0.17	11/16
90111L-6	6	3/8"	9/16"-18	490111L-6	4011-6	0.18	2.13	1.23	2.19	11/16	11/16	0.23	13/16
90111L-8	8	1/2"	3/4"-16	490111L-8	4011-8	0.29	2.75	1.45	2.44	7/8	7/8	0.34	15/16
90111L-10	10	5/8"	7/8"-14	490111L-10	4011-10	0.5	2.94	1.66	2.56	1 1/16	1	0.45	1 1/8
90111L-12	12	3/4"	1 1/16"-12	490111L-12	4011-12	0.75	3.75	2.17	3.73	1 1/4	1 1/4	0.56	1 1/4
90111L-16	16	1"	1 5/16"-12	490111L-16	4011-16	1.04	3.39	2.28	4.33	1 1/2	1 1/2	0.81	1 7/16

For hose information see page 2f
Fitting 90111L is designed to position hose assembly ABOVE another assembly using fitting 90111